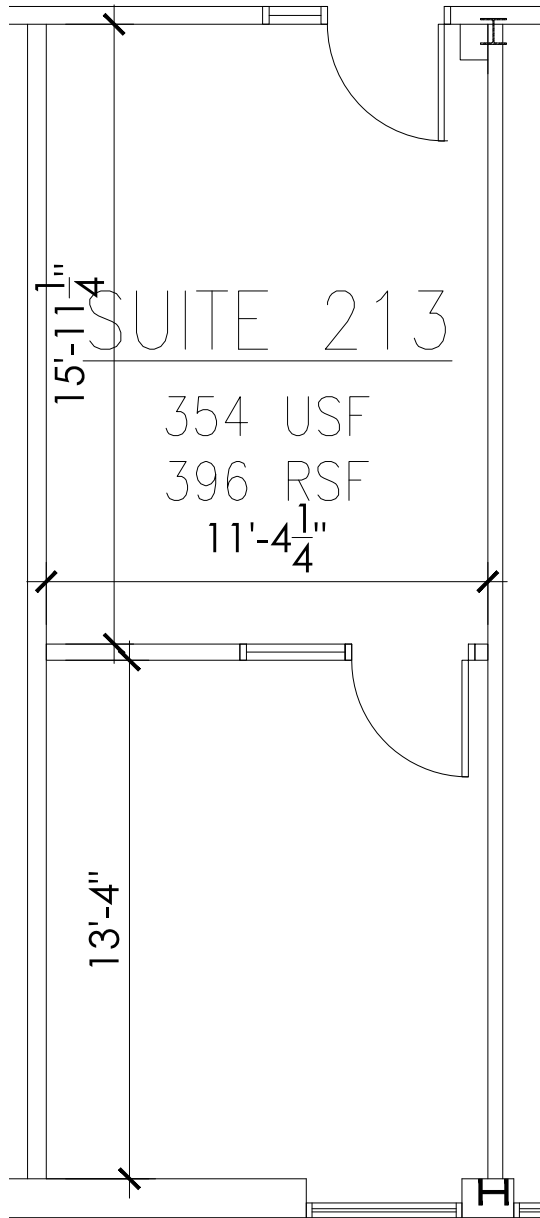


2ND FLOOR PLAN  
KEY PLAN  
NOT TO SCALE

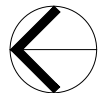


**schott** design  
www.schottdesign.com

SCALE: NOT TO SCALE  
PROJECT: 2012.602  
PROJECT MGR: ACM

## SUITE 213

8395 KEYSTONE CROSSING  
INDIANAPOLIS, INDIANA 46240



DATE: 10.20.2020